



RUGBY MANUFACTURING CO.
 INDUSTRIAL PARK,
 515 1ST STREET NE
 RUGBY, NORTH DAKOTA 58368



COAL CHUTE

"INSTALLATION MANUAL"

To Be Filled In By Installer

Purchase Date: _____

Dump Body Serial Number: _____

Dealer: _____

Address: _____

Dealer Phone Number: _____

THE FOLLOWING IS A STEP BY STEP PROCEDURE FOR INSTALLING COAL CHUTE ON RUGBY DUMP BODY TAILGATE.

07 1365

First Edition: 01/01/2000
 Latest Edition: 01



515 1ST STREET, NE * RUGBY, ND 58368

Warning: Missing or damaged decals can lead to accidents which may cause serious injury or death. If any decals are missing or damaged during a coal chute installation, they must be replaced.

To obtain replacement decals, contact your local Rugby dealer or contact:

Rugby Manufacturing Co.
515 1st Street NE - Industrial Park
Rugby, ND 58368

**THE DRAWINGS SHOWN IN THIS
INSTALLATION MANUAL MIGHT
VARY SLIGHTLY ACCORDING TO
THE DUMP BODY MODEL.**

General Warnings:

Warning: Do not raise or drive a raised body against a power line. Bringing body in contact with a power line or a power source will result in serious injury or death by electrocution.

Warning: Do not raise or drive a raised body against another object. Doing so could result in equipment and property damage, bodily injury or death.

Warning: Do not dump while on uneven ground, or if truck is in an uneven position from side to side. Dumping unevenly can cause truck to overturn and cause equipment or property damage, personal injury, or death.

Warning: Stay clear of dump body when dumping. Moving truck parts or the moving load could cause injury or death.

Warning: Check load making sure that rocks or any other object will not spill out of truck while transporting load. Falling objects can cause equipment, property damage, injury, or death.

Warning: Being under a raised body can result in serious injury or death should the body inadvertently descend. "**Never**" position yourself or allow others to position themselves under a "**raised**" body. "**Always**" support the "**unloaded**" body up using the body prop or body props supplied. "**Remember**" body props are to be used only on an "**unloaded**" body.

Warning: Malfunctioning equipment can cause property damage, injury or death. "Always" have faulty equipment repaired before continuing its use. If required, consult the manufacturer.

Warning: Overloading of a truck can cause truck component damage, or an accident which may cause injury or death. "Never" exceed the gross vehicle weight (GVW) or the gross axle weight (GAW) rating of your vehicle.

Warning: Not operating equipment correctly can cause component damage, or an accident which may cause injury or death. "Always" operate equipment in accordance with manufacturer's instructions. Read and understand this manual fully before proceeding.

NOTE: Prior to using dumping equipment, become familiar with how this equipment functions. Also read all material supplied pertaining to the raising and lowering of the body. If your truck is supplied with a hoist that is powered by PTO driven pump, read the instructions on proper use of the PTO and pump. If your truck is supplied with a hoist that is powered by an electrically driven pump, read the instructions for raising and lowering the hoist with your type of electrically driven pump.





THE COAL CHUTE IS AN INSTALLATION OPTION FOR A DUMP BODY TAILGATE.

It has been designed to fit on almost any "Rugby" dump body. It's function is to release small amounts of load, without having to open the tailgate.

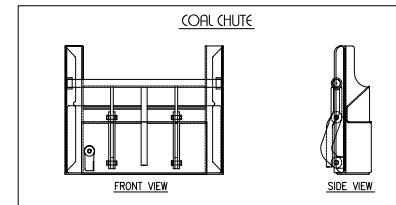
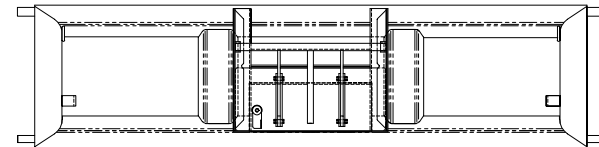


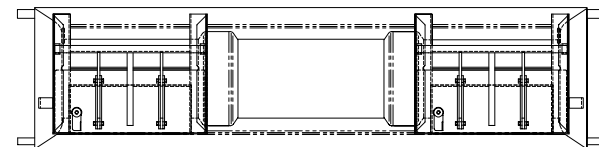
Figure 1

THE COAL CHUTE IS AVAILABLE IN THREE DIFFERENT OPTIONS:

A. SINGLE COAL CHUTE OPTION/CENTRAL INSTALLATION REQUIRED



B. TWO COAL CHUTE OPTION/SIDE INSTALLATION REQUIRED



C. TRIPLE COAL CHUTE OPTION/CENTRAL AND SIDE INSTALLATION REQUIRED

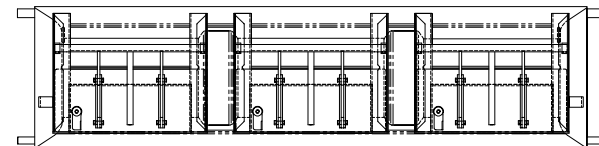


Figure 2

I. MAKING CUTOUT IN THE TAILGATE

The following steps will simplify the process of locating the coal chute on the tailgate:

- 1) Before removing the tailgate from the dump body, mark the height of the floor on the back side of the tailgate (Ref. line A in Fig.3)
- 2) Remove the tailgate from the dump body.
- 3) On the front of the tailgate, locate the center distance between stakes. Transfer that distance to the back side of the tailgate. Mark a vertical line 8.75" from the center mark on both sides to represent the vertical edges of the cutout.
- 4) Mark a horizontal line 0.25" above reference line A. This will be the bottom edge of the cutout. Then mark a second line 7.00" above that to represent the top edge.
- 5) Double check the cutout marks before beginning to cut. The cutout must be 7.00" x 17.50" in size and 0.25" above the dump body floor. Also the cutout should be centered between stakes. (See Fig. 3)
- 6) Cut trough the tailgate sheet. Depending on the dump body model, it may be necessary to cut through the bottom channel of the tailgate as well.

NOTE: It may be necessary to remove the chain keeper if it is within the location of the cutout. Before removing, mark the vertical location on the outer tailgate stake to simplify reattachment.

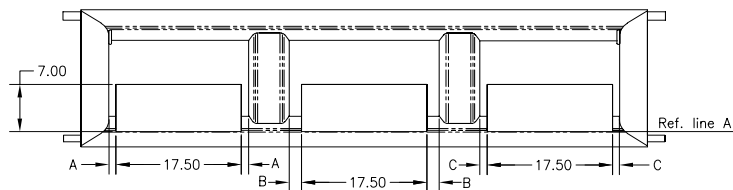


Figure 3

II. INSTALLING COAL CHUTE ON THE TAILGATE

- Make sure that the coal chute is perpendicular to the tailgate sheet. (See Fig.4 and Fig.5)
- Position the unit to fit exactly in the cutout and push flush to the tailgate sheet to form a frame of 0.25" (including the tailgate thickness) around the cutout, on the back of the tailgate. (See Fig. 4 and Fig. 5)

III. WELDING COAL CHUTE ON THE TAILGATE

- Dimensions and welds are typical to all coal chutes and tailgates.
- Weld the unit around the cutout on the back of the tailgate. (See Fig. 5)

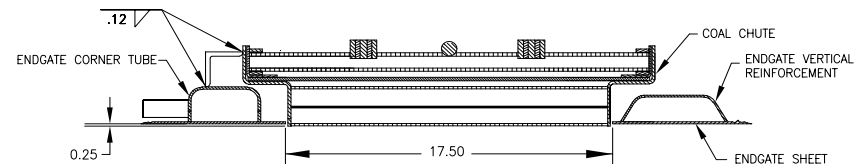


Figure 4

- If needed, reattach the chain keeper and weld it to the coal chute and to the corner tube. (See Fig. 4 and Fig. 6)
- If the tailgate is painted, remove paint in the areas designated for welding. (See Fig. 5 and Fig.6)

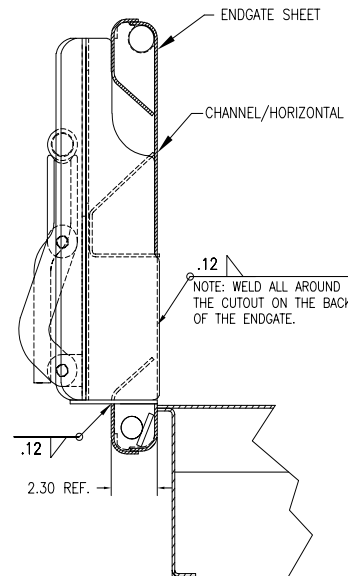


Figure 5

WARNING: Failure to completely weld around the cutout could result in internal rusting of the tailgate.

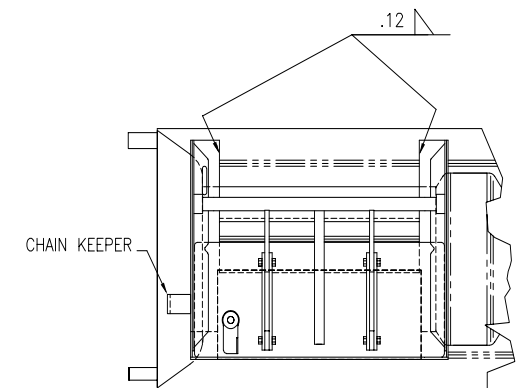


Figure 6