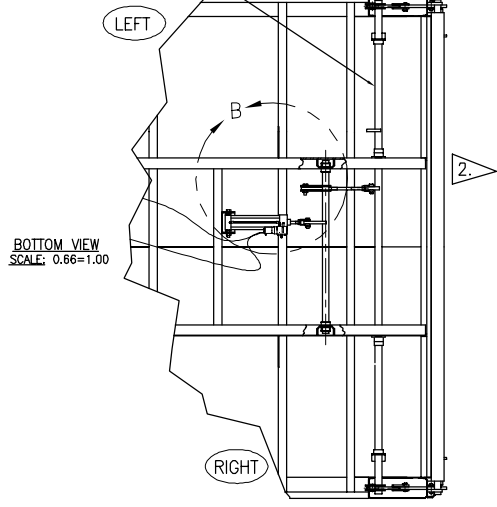
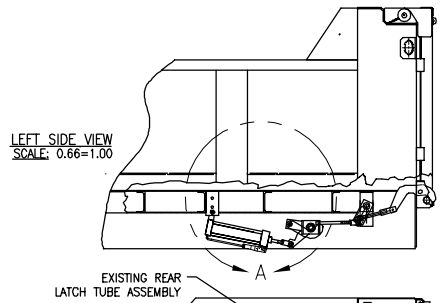
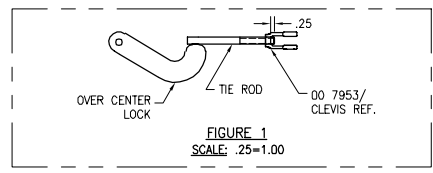
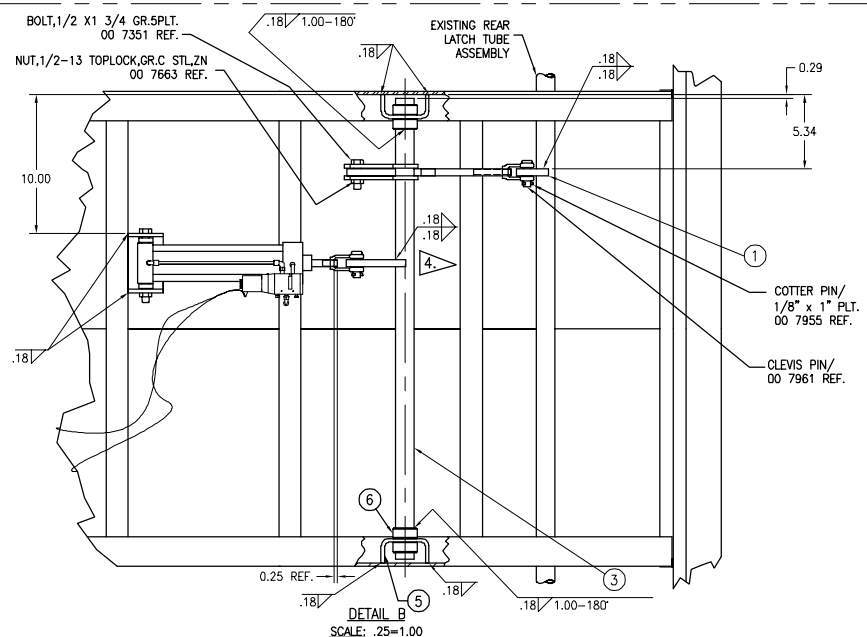


PUSH PULL SWITCH:
OPEN AND CLOSED
POSITIONS
12 VOLTS
7 WATTS
REQUIRED.
MOUNTED TO
DASHBOARD.

NOTE: EITHER WIRE CAN
BE USED FOR GROUND.

12 VOLT DC GROUND



INSTALLATION PROCEDURE

1. REMOVE DUMP BODY HANDLE ASSY. AND TIE ROD ASSY. FROM DUMP BODY.
2. REMOVE CLEVIS FROM TIE ROD SECURED IN STEP 1 AND THREAD IT ON TO OVER CENTER LOCK SA AS SHOWN IN FIGURE 1.
3. POSITION, ASSEMBLE AND TACK WELD ALL PARTS TO THE DUMP BODY USING THE DIMENSIONS SHOWN IN DETAILS A & B.

NOTE 1: REINSTALL BOLT 007351 REF., NUT 007663 REF., CLEVIS PIN 007961 REF., AND COTTER PIN 007955 REF.

- INSTALL FLAT 07 0225 REF.
- INSTALL AIR CYLINDER TUBE ASSY. 07 1315 REF.
- INSTALL CYLINDER MOUNTING BRACKET.
- INSTALL OVER CENTER LOCK SA 07 1308 REF.
- INSTALL AIR CYLINDER 07 1310 REF.

NOTE 2: MAKE SURE TO INSTALL THE CYLINDER ON THE LEFT SIDE, NEXT TO THE LONG SILL AS SHOWN IN DETAIL B.

NOTE 3: CYLINDER WILL DROP BELOW THE LONG SILL WHEN IT IS OPERATED. MAKE SURE THERE IS AT LEAST HALF INCH CLEARANCE BETWEEN SOLENOID AND TRUCK CHASSIS COMPONENTS.

4. AFTER FINAL ADJUSTMENTS WELD IN POSITION AS IT IS SHOWN IN DETAIL B. MAKE SURE FLAT IS WELDED TO THE AIR CYLINDER TUBE SA AS SHOWN.
5. OPERATE AIR CYLINDER TO MAKE SURE THAT END GATE CAN BE OPENED AND CLOSED PROPERLY. ADJUST IF NECESSARY. IT IS CRITICAL THAT THE OVER CENTER LOCK FUNCTIONS PROPERLY AND POSITIVELY LOCKS THE END GATE SECURELY CLOSED WHEN IN THE CLOSED POSITION.
6. COMPLETE AIR AND ELECTRIC CONNECTIONS AS SHOWN ON AIR CYLINDER KIT INSTRUCTION SHEET.

REV	DESCRIPTION	DATE	APPROVED
A2	ADDED 07 0227 BUSHING AS # 6	06-25-01	LIT
A1	ADDED 07 0236 CHANNEL AS # 5	06-25-01	LIT
A	REVISED PROCEDURE NOTES	06-25-01	LIT

CONFIDENTIAL
No copying or use without the express consent of Rugby Manufacturing Co.



ITEM	PART NUMBER	DESCRIPTION	REQ'D
A2	6	07 0227 BUSHING	2
A1	5	07 0236 CHANNEL	2
	4	07 1308 OVER CENTER LOCK SA	1
	3	07 1315 AIR CYLINDER TUBE SA	1
	2	07 1310 AIR CYL. KIT W/SOL.VALVE, SWITCH & BRKT.	1
	1	07 0225 FLAT	1

Drawn by LIT Date 06-28-01 TOLERANCE UNLESS OTHERWISE SPECIFIED
 UNLAR ±.03
 ANGULAR ±.5
 Approved by Drawing Number 07 1371
 SCALE .06=1.00
 TITLE AIR TAILGATE INSTALLATION MANUAL